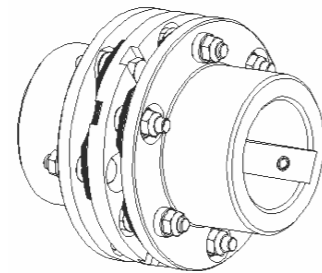
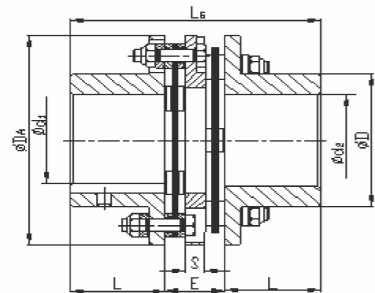




## REACH膜片联轴器 REACH Diaphragm Couplings

### RDC系列 RDC Series



- 紧凑的双节式结构
- 纠偏能力强
- 可替换曲面齿联轴器
- Compact double-section structure
- Strong deviation correction function
- Can be used to replace curved-tooth couplings

C型结构尺寸表 单位: mm Dimension Table of C-type Unit: mm

| 规格Size | d1 max | d2 max | DA  | D   | LG  | L1 | E  | L2 | S  |
|--------|--------|--------|-----|-----|-----|----|----|----|----|
| 20     | 20     | 20     | 56  | 32  | 55  | 20 | 15 | 20 | 5  |
| 25     | 25     | 25     | 68  | 40  | 68  | 25 | 18 | 25 | 6  |
| 35     | 35     | 35     | 82  | 54  | 98  | 40 | 18 | 40 | 6  |
| 38     | 38     | 38     | 94  | 58  | 114 | 45 | 24 | 45 | 8  |
| 42     | 42     | 42     | 104 | 68  | 118 | 45 | 28 | 45 | 8  |
| 50     | 50     | 50     | 126 | 78  | 142 | 55 | 32 | 55 | 10 |
| 60     | 60     | 60     | 138 | 88  | 144 | 55 | 34 | 55 | 12 |
| 70     | 70     | 70     | 156 | 102 | 164 | 65 | 34 | 65 | 12 |

C型性能参数 Performance Parameters of C-type

| 规格Size | 额定扭矩 Rated Torque (Nm) | 最高转速 Max. Rotation Speed (r/min) | 角向偏差 (度) Angular Deviation (o) | 轴向偏差 Axial Deviation (mm) | 径向偏差 Radial Deviation (mm) | 转动惯量 Moment of Inertia (kg.m <sup>2</sup> ) | 膜片扭向性刚度 Torsional Stiffness of Diaphragm (10 <sup>6</sup> Nm/rad) |
|--------|------------------------|----------------------------------|--------------------------------|---------------------------|----------------------------|---------------------------------------------|-------------------------------------------------------------------|
| 20     | 15                     | 20000                            | 1.0                            | 1.2                       | 0.1                        | 0.0001                                      | 0.0085                                                            |
| 25     | 30                     | 16000                            | 1.0                            | 1.6                       | 0.2                        | 0.00025                                     | 0.014                                                             |
| 35     | 60                     | 13000                            | 1.0                            | 2.0                       | 0.2                        | 0.0085                                      | 0.046                                                             |
| 38     | 120                    | 12000                            | 1.0                            | 2.4                       | 0.3                        | 0.0015                                      | 0.099                                                             |
| 42     | 180                    | 10000                            | 1.0                            | 2.8                       | 0.3                        | 0.0024                                      | 0.141                                                             |
| 50     | 330                    | 8000                             | 1.0                            | 3.2                       | 0.4                        | 0.008                                       | 0.2505                                                            |
| 60     | 690                    | 6700                             | 1.3                            | 2.0                       | 1.0                        | 0.01                                        | 0.28                                                              |
| 70     | 1100                   | 5900                             | 1.3                            | 2.2                       | 1.2                        | 0.02                                        | 0.45                                                              |

定货号示例 Order Example: RDC-35-A-35Jx28J

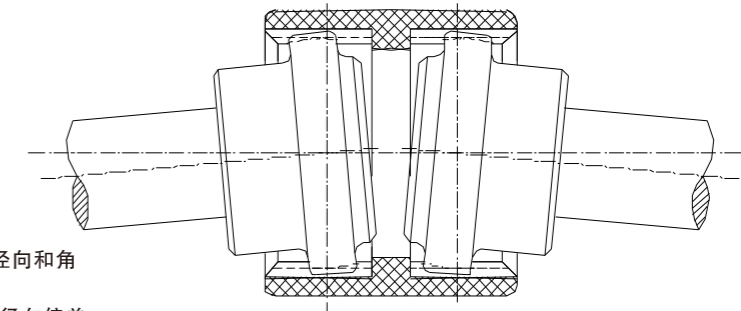
| RDC-35-A                                                            | 35J                                                                             | 28J                                                                           |
|---------------------------------------------------------------------|---------------------------------------------------------------------------------|-------------------------------------------------------------------------------|
| REACH膜片联轴器<br>35规格A型<br>REACH Diaphragm Couplings<br>Size 35 A-type | 轴套孔直径为35,键槽连接形式<br>The diameter of bore in the hub is 35<br>Connected by keyway | 轴套孔直径为35,键槽连接形式<br>The diameter of bore in the hub is 35<br>Keyway Connection |

连接形式说明: J表示键槽连接形式 Z表示键槽胀套连接形式  
Explanation of the Connection: "J" means the keyway connection and, "z" refers to the connection between the keyway and locking devices



## RGF系列 RGF Series REACH曲面齿联轴器 REACH Curved-tooth Coupling

### 概述 Summarize



REACH联轴器是用于柔性传动,在轴向、径向和角向有很强的纠偏能力。

由于双曲面齿的结构能有效地避免因角向和径向偏差造成局部应力集中的现象,因而REACH联轴器几乎不会产生磨损。

直齿联轴器在有安装误差的情况下,齿接触表面易生应力集中现象,加快了磨损。

双曲面齿联轴器在发生角向、径向安装偏差时,较大的齿接触面而避免了应力集中。

钢质轴套和尼龙套的材料配合保证了在连续传动中齿接触面之间的摩擦力非常小,不用维护。

由于REACH联轴器是双节式结构,角向和径向误差产生的应力可以忽略,角速度不会出现周期性波动。

REACH联轴器可以适用于水平和垂直安装,不需要任何特殊工具。

REACH Couplings are perfect for flexible transmission and good at correcting axial, radial and angular misalignments.

The double curved-tooth avoid concentrated partial stress effectively generated by angular and radial misalignments.

With this function, REACH's couplings hardly generate wear.

If the straight-tooth coupling is installed in error, the stress might be concentrated in the tooth-contacted surface and hereby speed up the wear.

Double curved tooth couplings avoid stress concentration upon the larger tooth-contacted surface while an angular and radial installation deviation occurs.

The steel shaft sleeve combines with nylon sleeve to achieve pretty small friction between tooth-contacted surfaces in continual transmission and hereby without any maintenance.

Thanks to REACH's design on double-section structure, the stress generated by angular and radial deviation can be neglected; meanwhile there would be no periodical fluctuation in angular velocity.

REACH coupling can be installed horizontally and vertically without using any special tool.

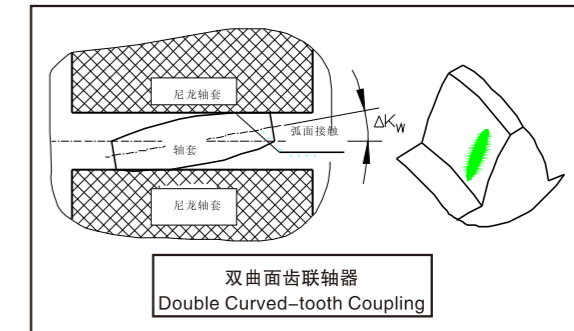
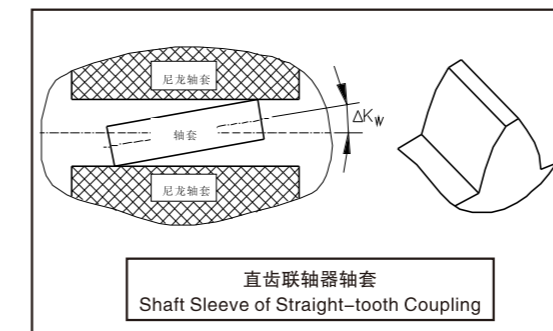
### 尼龙齿套具有以下特性:

- 很好的机械性能
- 刚度高
- 耐高温 (+100°C)
- 低温不脆化
- 良好的滑动,摩擦特性
- 良好的电绝缘特性
- 耐化学腐蚀
- 加工精度高
- REACH尼龙齿套的耐磨性能:

尼龙复合材料(晶体结构)外表光滑、坚硬,有韧性,具有高热稳定性,并且可以耐润滑剂、燃料、液压油、溶剂等腐蚀,是生产联轴器的理想材料。金属部件间在无润滑相互运动时会相互磨损,而光滑的尼龙和钢之间即使没有润滑和维护也不会磨损。

### Characters of Nylon-sleeve

- Excellent mechanical property
  - High stiffness
  - High temperature resistance (+100°C)
  - No embrittlement at low temperature
  - Excellent sliding and friction property
  - Excellent electrical insulation
  - Chemical corrosion resistance
  - High machining precision
  - Wear-resistance of REACH Nylon-gear Sleeve
- Nylon composite material (crystal structure) is an ideal material of coupling for its appearance with the character of smoothness, hardness and flexibility and high heat-stability and resistance to corrosion generated by lubricant, fuel, hydraulic fluid and solvents, etc.. Generally, the wear will occur when the metal parts move towards its counterpart, but no wear occurs between the smooth Nylon and metal part, even there is no lubricant and maintenance.





### RGF系列 RGF Series REACH鼓形齿联轴器 REACH Crowned Teeth Coupling

RGF鼓形齿功率、扭力和转速/ RGF Crowned Teeth Power, Torsion and Rotation Speed

| 规格<br>Specification | 功率 / 转速<br>Power/Rotation Speed<br>P[KW]/n[rpm] |            | 扭力<br>Torsion<br>T k<br>[Nm] |         |      | 最高转速<br>Max.<br>Rotation<br>Speed<br>[rpm] |
|---------------------|-------------------------------------------------|------------|------------------------------|---------|------|--------------------------------------------|
|                     | 额定<br>Rated                                     | 最大<br>Max. | T kn                         | T k max | T kW |                                            |
| RGF- 14             | 0.001                                           | 0.003      | 10                           | 30      | 5    | 14000                                      |
| RGF- 19             | 0.0017                                          | 0.005      | 16                           | 48      | 8    | 11800                                      |
| RGF- 24             | 0.0021                                          | 0.006      | 20                           | 60      | 10   | 10600                                      |
| RGF- 28             | 0.0047                                          | 0.014      | 45                           | 135     | 23   | 8500                                       |
| RGF- 32             | 0.0063                                          | 0.019      | 60                           | 180     | 30   | 7500                                       |
| RGF- 38             | 0.0084                                          | 0.025      | 80                           | 240     | 40   | 6700                                       |
| RGF- 42             | 0.01                                            | 0.031      | 100                          | 300     | 50   | 6000                                       |
| RGF- 48             | 0.015                                           | 0.044      | 140                          | 420     | 70   | 5600                                       |
| RGF- 65             | 0.04                                            | 0.119      | 380                          | 1140    | 190  | 4000                                       |
| RGF- 80             | 0.073                                           | 0.22       | 700                          | 2100    | 350  | 3150                                       |
| RGF- 100            | 0.13                                            | 0.38       | 1200                         | 3600    | 600  | 3000                                       |
| RGF- 125            | 0.26                                            | 0.78       | 2500                         | 7500    | 1250 | 2120                                       |



### RGF系列 RGF Series REACH鼓形齿联轴器 REACH Crowned Teeth Coupling

根据标准IEC电机选型/ Model Selection based on Standard IEC Motor

| 配防护等级为IP54/IP55标准IEC电机的RGF联轴器<br>RGF coupling equipped with Standard IEC motor with IP54/IP55 Level of Protection |                                         |        |                                                |                     |                            |                                                 |                     |                            |                                                |                     |                            |
|-------------------------------------------------------------------------------------------------------------------|-----------------------------------------|--------|------------------------------------------------|---------------------|----------------------------|-------------------------------------------------|---------------------|----------------------------|------------------------------------------------|---------------------|----------------------------|
| 交流电机型号<br>AC Motor Model                                                                                          | 轴端<br>Shaft End<br>dxl[mm]<br>3000≤1500 |        | 电机输出Motor Output 50Hz n=3000rpm 2极<br>Two-pole |                     | RGF规格<br>RGF Specification | 电机输出Motor Output 50Hz n=1500rpm 4极<br>Four-pole |                     | RGF规格<br>RGF Specification | 电机输出Motor Output 50Hz n=1000rpm 6极<br>Six-pole |                     | RGF规格<br>RGF Specification |
|                                                                                                                   |                                         |        | 输出功率<br>Output Power P [Kw]                    | 扭矩<br>Torque T [Nm] |                            | 输出功率<br>Output Power P [Kw]                     | 扭矩<br>Torque T [Nm] |                            | 输出功率<br>Output Power P [Kw]                    | 扭矩<br>Torque T [Nm] |                            |
| 56                                                                                                                | 9X20                                    |        | 0.09                                           | 0.32                | 14                         | 0.06                                            | 0.43                | 14                         | 0.037                                          | 0.43                | 14                         |
|                                                                                                                   |                                         |        | 0.12                                           | 0.41                |                            | 0.09                                            | 0.64                |                            | 0.045                                          | 0.52                |                            |
| 63                                                                                                                | 11X23                                   |        | 0.18                                           | 0.62                | 14                         | 0.12                                            | 0.88                | 14                         | 0.06                                           | 0.72                | 14                         |
|                                                                                                                   |                                         |        | 0.25                                           | 0.86                |                            | 0.18                                            | 1.3                 |                            | 0.09                                           | 1.1                 |                            |
| 71                                                                                                                | 14X30                                   |        | 0.37                                           | 1.3                 | 19                         | 0.25                                            | 1.8                 | 19                         | 0.18                                           | 2                   | 19                         |
|                                                                                                                   |                                         |        | 0.55                                           | 1.9                 |                            | 0.37                                            | 2.5                 |                            | 0.25                                           | 2.7                 |                            |
| 80                                                                                                                | 19X40                                   |        | 0.75                                           | 2.5                 | 19                         | 0.55                                            | 3.7                 | 19                         | 0.37                                           | 3.9                 | 19                         |
|                                                                                                                   |                                         |        | 1.1                                            | 3.7                 |                            | 0.75                                            | 5.1                 |                            | 0.55                                           | 5.8                 |                            |
| 90S                                                                                                               | 24X50                                   |        | 1.5                                            | 5                   | 24                         | 1.1                                             | 7.5                 | 24                         | 0.75                                           | 8                   | 24                         |
| 90L                                                                                                               |                                         |        | 2.2                                            | 7.4                 |                            | 1.5                                             | 10                  |                            | 1.1                                            | 12                  |                            |
| 100L                                                                                                              | 28X60                                   |        | 3                                              | 9.8                 | 28                         | 2.2                                             | 15                  | 28                         | 1.5                                            | 15                  | 28                         |
|                                                                                                                   |                                         |        |                                                |                     |                            | 3                                               | 20                  |                            | 2.2                                            | 22                  |                            |
| 112M                                                                                                              | 38X80                                   |        | 4                                              | 13                  | 38                         | 4                                               | 27                  | 38                         | 3                                              | 30                  | 38                         |
| 132S                                                                                                              |                                         |        | 5.5                                            | 18                  |                            | 5.5                                             | 36                  |                            | 4                                              | 40                  |                            |
| 132M                                                                                                              |                                         |        | 7.5                                            | 25                  |                            | 7.5                                             | 49                  |                            | 5.5                                            | 55                  |                            |
| 160M                                                                                                              | 42X110                                  |        | 11                                             | 36                  | 42                         | 11                                              | 72                  | 42                         | 7.5                                            | 75                  | 42                         |
|                                                                                                                   |                                         |        | 15                                             | 49                  |                            | 15                                              | 98                  |                            | 11                                             | 108                 |                            |
| 160L                                                                                                              |                                         |        | 18.5                                           | 60                  | 48                         | 18.5                                            | 121                 | 48                         | 15                                             | 148                 | 48                         |
| 180M                                                                                                              | 48X110                                  |        | 22                                             | 71                  |                            | 22                                              | 144                 |                            | 18.5                                           | 181                 |                            |
| 180L                                                                                                              |                                         |        |                                                |                     |                            |                                                 |                     | 22                         | 215                                            |                     |                            |
| 200L                                                                                                              | 55X110                                  |        | 30                                             | 97                  | 65                         | 30                                              | 196                 | 65                         | 22                                             | 215                 | 65                         |
|                                                                                                                   |                                         |        | 37                                             | 120                 |                            | 37                                              | 240                 |                            | 30                                             | 293                 |                            |
| 225S                                                                                                              | 55X110                                  | 60X140 | 45                                             | 145                 | 65                         | 45                                              | 292                 | 65                         | 37                                             | 361                 | 65                         |
| 225M                                                                                                              |                                         |        | 55                                             | 177                 |                            | 55                                              | 356                 |                            | 45                                             | 438                 |                            |
| 250M                                                                                                              | 60X140                                  | 65X140 | 75                                             | 241                 | 80                         | 75                                              | 484                 | 80                         | 55                                             | 535                 | 80                         |
| 280S                                                                                                              |                                         |        | 90                                             | 289                 |                            | 90                                              | 581                 |                            | 75                                             | 727                 |                            |
| 280M                                                                                                              |                                         | 75X140 | 110                                            | 353                 | 80                         | 110                                             | 707                 | 80                         | 90                                             | 873                 | 80                         |
| 315S                                                                                                              |                                         |        | 132                                            | 423                 |                            | 132                                             | 849                 |                            | 90                                             | 1070                |                            |
| 315M                                                                                                              |                                         |        | 160                                            | 513                 | 80                         | 160                                             | 1030                | 100                        | 132                                            | 1280                | 100                        |
| 315L                                                                                                              | 65X140                                  | 80X170 | 200                                            | 641                 |                            | 200                                             | 1290                |                            | 132                                            | 1550                |                            |
|                                                                                                                   |                                         |        |                                                |                     |                            |                                                 |                     |                            | 160                                            | 1550                |                            |
| 315                                                                                                               |                                         | 85X170 | 250                                            | 802                 | 100                        | 250                                             | 1610                | 125                        | 200                                            | 1930                | 125                        |
|                                                                                                                   |                                         |        | 315                                            | 1010                |                            | 315                                             | 2020                |                            | 200                                            | 2420                |                            |
|                                                                                                                   |                                         |        | 355                                            | 1140                | 125                        | 355                                             | 2280                | 125                        | 250                                            | 2420                | 125                        |
| 355                                                                                                               | 75X140                                  | 95X170 | 400                                            | 1280                |                            | 400                                             | 2560                |                            | 315                                            | 3040                |                            |

扭矩T=电机的额定扭矩 Torque T= Rated Torque



**RGF系列 RGF Series REACH曲面齿联轴器 REACH Curved-tooth Coupling**

**RGF系列 RGF Series REACH曲面齿联轴器 REACH Curved-tooth Coupling**

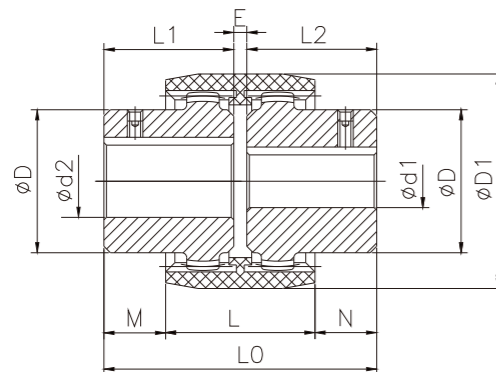


**产品特点**

- 双节式曲面齿联轴器
- 广泛应用于各种机械和液压领域
- 尼龙和钢的材料配合,免维护
- 可以补偿轴向、径向、角向误差
- 轴向插入装配,非常方便
- 成品孔径公差按照ISO标准为H7,键槽公差按照标准DIN6885/1为JS9,另有锥孔和英制孔
- 安装尺寸见下表:

**Characters:**

- 2-section curved-tooth coupling
- Widely used in various mechanical & hydraulic fields
- Nylon-steel material requires no maintenance
- Compensate for axial, radial and angular misalignments
- Easy assembly by axial plugging
- Finished product's bore tolerance conforms to ISO H7, keyway width tolerance conforms to DIN6885/1 JS9. In addition, the coupling provides taper bore and inch bore.
- For installation dimensions, please refer to the following table



安装尺寸表 ( mm )  
Installation Dimensions ( mm )

| 型号 Model    |                | 成品孔 Finished bore d1, d2 |                    | 尺寸 Dimensions (mm) |     |    |     |   |              |     |    |                                 |                    | 最大孔径时 联轴器重量 Coupling Weight with Max. Aperture |  | 额定扭矩 Rated Torque |
|-------------|----------------|--------------------------|--------------------|--------------------|-----|----|-----|---|--------------|-----|----|---------------------------------|--------------------|------------------------------------------------|--|-------------------|
| 普通型 General | 加长型 Lengthened | 预制孔 Pre-machined Bore    | 最大孔径 Max. Aperture | I1,I2              | LO  | L  | M,N | E | 加长轴套 1,2 max | D1  | D  | 尼龙套重量 kg Weight of Nylon-sleeve | 总重 kg Total Weight | N.m                                            |  |                   |
| RGF-14      | RGF-14-L       | -                        | 14                 | 23                 | 50  | 37 | 6.5 | 4 | 40           | 40  | 24 | 0.02                            | 0.14               | 10                                             |  |                   |
| RGF-19      | RGF-19-L       | -                        | 19                 | 25                 | 54  | 37 | 8.5 | 4 | 40           | 48  | 30 | 0.03                            | 0.21               | 16                                             |  |                   |
| RGF-24      | RGF-24-L       | -                        | 24                 | 26                 | 56  | 41 | 7.5 | 4 | 50           | 52  | 36 | 0.04                            | 0.25               | 20                                             |  |                   |
| RGF-28      | RGF-28-L       | -                        | 28                 | 40                 | 84  | 46 | 19  | 4 | 55           | 66  | 44 | 0.07                            | 0.62               | 45                                             |  |                   |
| RGF-32      | RGF-32-L       | -                        | 32                 | 40                 | 84  | 48 | 18  | 4 | 55           | 76  | 50 | 0.09                            | 0.83               | 60                                             |  |                   |
| RGF-38      | RGF-38-L       | -                        | 38                 | 40                 | 84  | 48 | 18  | 4 | 60           | 83  | 58 | 0.11                            | 1.04               | 80                                             |  |                   |
| RGF-42      | RGF-42-L       | -                        | 42                 | 42                 | 88  | 50 | 19  | 4 | 60           | 92  | 65 | 0.14                            | 1.41               | 100                                            |  |                   |
| RGF-48      | RGF-48-L       | -                        | 48                 | 50                 | 104 | 50 | 27  | 4 | 60           | 95  | 67 | 0.16                            | 1.43               | 140                                            |  |                   |
| RGF-55      | RGF-55-L       | -                        | 55                 | 52                 | 108 | 58 | 25  | 4 | 65           | 114 | 82 | 0.26                            | 2.50               | 240                                            |  |                   |
| RGF-65      | RGF-65-L       | -                        | 65                 | 55                 | 114 | 68 | 23  | 4 | 70           | 132 | 95 | 0.39                            | 3.58               | 380                                            |  |                   |

安装尺寸表 ( mm )  
Installation Dimensions ( mm )

| 型号 Model<br>RGF-□□ | 成品孔 d1, d2<br>Finished Bores d1, d2 |                             | 尺寸 (mm) Dimensions (mm) |     |     |     |      |                                                           |    |     |                                              |                         | 最大孔径时<br>联轴器重量<br>Coupling Weight<br>with Maximum Bore |      | 额定扭矩<br>Rated Torque |
|--------------------|-------------------------------------|-----------------------------|-------------------------|-----|-----|-----|------|-----------------------------------------------------------|----|-----|----------------------------------------------|-------------------------|--------------------------------------------------------|------|----------------------|
|                    | 预制孔<br>Pre-machined<br>Bore         | 最大孔径<br>Maximum<br>Aperture | I1,I2                   | LO  | L   | M,N | E    | 加长轴套<br>1,2 max<br>Lengthened<br>Shaft Sleeve<br>1, 2 max | D1 | D   | 尼龙套<br>重量kg<br>Weight of<br>Nylon-<br>sleeve | 总重kg<br>Total<br>Weight | N.m                                                    |      |                      |
| 80                 | 25                                  | 成品孔可按客户要求制作                 | 80                      | 90  | 186 | 93  | 46.5 | 6                                                         | -  | 175 | 124                                          | 0.91                    | 10.93                                                  | 700  |                      |
| 100                | 35                                  | 成品孔可按客户要求制作                 | 100                     | 110 | 228 | 102 | 63   | 8                                                         | -  | 210 | 152                                          | 1.36                    | 19.47                                                  | 1200 |                      |
| 125                | 45                                  |                             | 125                     | 140 | 290 | 134 | 78   | 10                                                        | -  | 270 | 192                                          | 2.97                    | 40.73                                                  | 2500 |                      |

可选择孔径尺寸表 ( mm )

| 鼓形齿轮<br>Drum Gear<br>RGF-□□-1 | 预制中心孔<br>Pre-made<br>Centre Bore<br>BX/Y | 孔径 dH7 (键槽 DIN6885/1 (GB/T1095-79) JS9 和 紧定螺钉)<br>Aperture dH7 (keyway DIN 6885/1 (GB/T1095-79 and locking screws)) |   |   |   |    |    |    |    |    |    |    |    |    |    |    |    |    |    |    |    |    |    |    |    |    |    |    |    |    |    | 孔径 d (d1 或 d2) 大于 65 的键槽特殊加工<br>Special Machining for Aperture d (d1 or d2) over 65 of keyway |    |   |   |   |   |   |        |
|-------------------------------|------------------------------------------|---------------------------------------------------------------------------------------------------------------------|---|---|---|----|----|----|----|----|----|----|----|----|----|----|----|----|----|----|----|----|----|----|----|----|----|----|----|----|----|-----------------------------------------------------------------------------------------------|----|---|---|---|---|---|--------|
|                               |                                          | 6                                                                                                                   | 7 | 8 | 9 | 10 | 11 | 12 | 13 | 14 | 15 | 16 | 17 | 18 | 19 | 20 | 22 | 24 | 25 | 28 | 30 | 32 | 35 | 38 | 40 | 42 | 45 | 48 | 50 | 55 | 60 |                                                                                               | 65 |   |   |   |   |   |        |
| 14                            | B2.5/8                                   | *                                                                                                                   | * | * | * | *  | *  | *  | *  | *  | *  | *  | *  | *  | *  | *  | *  | *  | *  | *  | *  | *  | *  | *  | *  | *  | *  | *  | *  | *  | *  | *                                                                                             | *  | * | * | * | * | * |        |
| 19                            | B2.5/8                                   |                                                                                                                     | * | * | * | *  | *  | *  | *  | *  | *  | *  | *  | *  | *  | *  | *  | *  | *  | *  | *  | *  | *  | *  | *  | *  | *  | *  | *  | *  | *  | *                                                                                             | *  | * | * | * | * | * |        |
| 24                            | B3.15/10                                 |                                                                                                                     |   | * | * | *  | *  | *  | *  | *  | *  | *  | *  | *  | *  | *  | *  | *  | *  | *  | *  | *  | *  | *  | *  | *  | *  | *  | *  | *  | *  | *                                                                                             | *  | * | * | * | * | * |        |
| 28                            | B3.15/10                                 |                                                                                                                     |   | * | * | *  | *  | *  | *  | *  | *  | *  | *  | *  | *  | *  | *  | *  | *  | *  | *  | *  | *  | *  | *  | *  | *  | *  | *  | *  | *  | *                                                                                             | *  | * | * | * | * | * |        |
| 32                            | B3.15/10                                 |                                                                                                                     |   | * | * | *  | *  | *  | *  | *  | *  | *  | *  | *  | *  | *  | *  | *  | *  | *  | *  | *  | *  | *  | *  | *  | *  | *  | *  | *  | *  | *                                                                                             | *  | * | * | * | * | * |        |
| 38                            | B3.15/10                                 |                                                                                                                     |   |   | * | *  | *  | *  | *  | *  | *  | *  | *  | *  | *  | *  | *  | *  | *  | *  | *  | *  | *  | *  | *  | *  | *  | *  | *  | *  | *  | *                                                                                             | *  | * | * | * | * | * | *      |
| 42                            | B3.15/10                                 |                                                                                                                     |   |   | * | *  | *  | *  | *  | *  | *  | *  | *  | *  | *  | *  | *  | *  | *  | *  | *  | *  | *  | *  | *  | *  | *  | *  | *  | *  | *  | *                                                                                             | *  | * | * | * | * | * | *      |
| 48                            | B3.15/10                                 |                                                                                                                     |   |   | * | *  | *  | *  | *  | *  | *  | *  | *  | *  | *  | *  | *  | *  | *  | *  | *  | *  | *  | *  | *  | *  | *  | *  | *  | *  | *  | *                                                                                             | *  | * | * | * | * | * | *      |
| 55                            | B6.3/18                                  |                                                                                                                     |   |   |   | *  | *  | *  | *  | *  | *  | *  | *  | *  | *  | *  | *  | *  | *  | *  | *  | *  | *  | *  | *  | *  | *  | *  | *  | *  | *  | *                                                                                             | *  | * | * | * | * | * | *      |
| 65                            | B6.3/18                                  |                                                                                                                     |   |   |   | *  | *  | *  | *  | *  | *  | *  | *  | *  | *  | *  | *  | *  | *  | *  | *  | *  | *  | *  | *  | *  | *  | *  | *  | *  | *  | *                                                                                             | *  | * | * | * | * | * | *      |
| 80                            | Pre-bore 25                              |                                                                                                                     |   |   |   | *  | *  | *  | *  | *  | *  | *  | *  | *  | *  | *  | *  | *  | *  | *  | *  | *  | *  | *  | *  | *  | *  | *  | *  | *  | *  | *                                                                                             | *  | * | * | * | * | * | 65~80  |
| 100                           | Pre-bore 35                              |                                                                                                                     |   |   |   | *  | *  | *  | *  | *  | *  | *  | *  | *  | *  | *  | *  | *  | *  | *  | *  | *  | *  | *  | *  | *  | *  | *  | *  | *  | *  | *                                                                                             | *  | * | * | * | * | * | 65~100 |
| 125                           | Pre-bore 45                              |                                                                                                                     |   |   |   | *  | *  | *  | *  | *  | *  | *  | *  | *  | *  | *  | *  | *  | *  | *  | *  | *  | *  | *  | *  | *  | *  | *  | *  | *  | *  | *                                                                                             | *  | * | * | * | * | * | 65~125 |

订货示例 Order Example

| REACH RGF-28                           | d1, $\phi$ 25                                                                                   | d2, $\phi$ 28                                                                                   |
|----------------------------------------|-------------------------------------------------------------------------------------------------|-------------------------------------------------------------------------------------------------|
| 联轴器型号和规格<br>Model and Size of Coupling | 成品孔径 DIN6885<br>Aperture of Finished Products DIN6885<br>(键宽公差 JS9 Tolerance of Key Width Js9)) | 成品孔径 DIN6885<br>Aperture of Finished Products DIN6885<br>(键宽公差 JS9 Tolerance of Key Width Js9)) |